



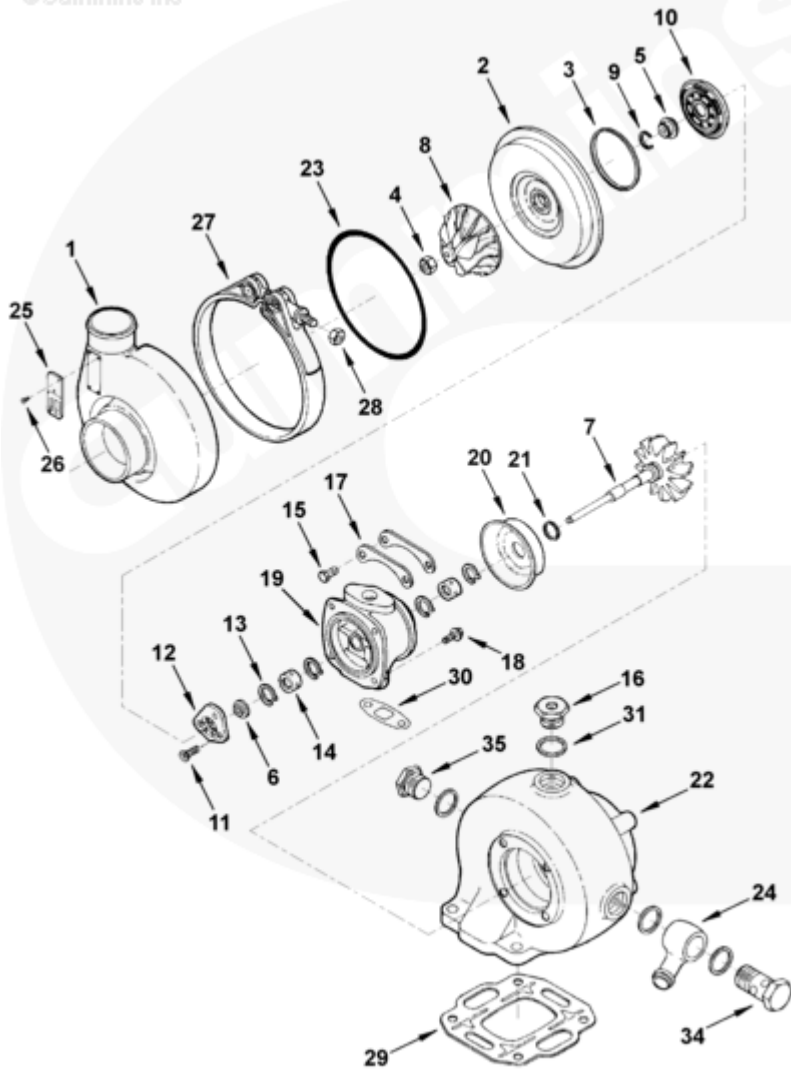
## Parts Catalog - Option Detail

| Electronic Parts Catalog - Option Detail |   |         |           |           |
|--|---|---------|-----------|-----------|
| Option                                   | Group   | Graphic | Film Card | Date      |
| PP9793                                   | 10.06   | tu910ga | T         | 11-FEB-97 |
| <b>Engines</b>                           | 4B3.9, 6A3.4, 6B5.9, B GAS INTERNATIONAL CM556, B4.5, B4.5 CM2350 B129B, B4.5 CM2350 B146C, B4.5 CM2350 B147B, B4.5 RGT, B4.5S, B5.9 G, B5.9 GAS PLUS CM556, B5.9 LPG, B5.9 LPG PLUS CM556, B6.7 CM2350 B121B, B6.7 CM2350 B135B, B6.7 CM2350 B136C, B6.7 CM2350 B148B, B6.7 G CMOH6.0 B125, B6.7N CM2380 B150B, B6.7S, F3.8 CM2350 F120B, F3.8 CM2350 F128C, F3.8 CM2350 F132B, F3.8 F102, G3.9, G5.9, G5.9 CM558, ISB (CHRYSLER), ISB CM2150, ISB CM2150 E, ISB CM550, ISB CM850, ISB/ISD4.5 CM2150 B119, ISB/ISD4.5 CM2150 SN, ISB/ISD6.7 CM2150 B120, ISB/ISD6.7 CM2150 SN, ISB/ISD6.7 CM2880 B126, ISB3.9 CM2220 B107, ISB4.5 CM2150, ISB5.9G CM2180, ISB6.7 2010 DCX PICKUP, ISB6.7 2013 DCX CHASSIS CAB, ISB6.7 CM2150 SQ, ISB6.7 CM2250, ISB6.7 CM2350 B101, ISB6.7 CM2350 B103, ISB6.7 CM2350 B142, ISB6.7 CM2670 B153B, ISB6.7 G CM2180 B118, ISBE CM2150, ISBE CM800, ISBE2/ISBE3 CM850, ISBE4 CM850, ISD4.5 CM2150, ISD6.7 CM2880 D101, ISF2.8 CM2220, ISF2.8 CM2220 AN, ISF2.8 CM2220 EC, ISF2.8 CM2220 ECF2, ISF2.8 CM2220 F101, ISF2.8 CM2220 F117, ISF2.8 CM2220 F122, ISF2.8 CM2220 F126, ISF2.8 CM2220 F129, ISF2.8 CM2220 IAN, ISF3.8 CM2220, ISF3.8 CM2220 AN, ISF3.8 CM2220 F103, ISF3.8 CM2220 F110, ISF3.8 CM2220 F116, ISF3.8 CM2220 F134B, ISF3.8 CM2220 IAN, ISF3.8 CM2350 F109, ISF4.5 CM2220 F123, ISG11 CM2880 G106, ISG11 CM2880 G108, ISG12 CM2880 G107, ISG12 CM2880 G109, ISG12 G CMOH6.0 G111, QSB3.9 30 CM550, QSB3.9 CM2880 B138, QSB4.5 30 CM550, QSB4.5 CM2150 B108, QSB4.5 CM2250 B131, QSB4.5 CM2250 EC, QSB4.5 CM2350 B106, QSB4.5 CM2350 B122 |         |           |           |

We use cookies on this site to enhance your experience.



By clicking any link on this page, you give consent for us to set cookies. For more information, see our [Privacy and Legal page](#).



tu910ga

[SMALL](#) | [MEDIUM](#) | [LARGE](#)

| Cart                         | Ref No | Part Number             | Part Description      | Required | Remarks |
|------------------------------|--------|-------------------------|-----------------------|----------|---------|
| <a href="#">View My Cart</a> |        |                         |                       |          |         |
|                              |        | <a href="#">PP9793</a>  | Turbocharger          |          |         |
| <input type="checkbox"/>     |        | <a href="#">3802306</a> | Turbocharger Kit      | 1        |         |
|                              |        | <a href="#">3526625</a> | Turbocharger          | 1        |         |
| <input type="checkbox"/>     | 1      | <a href="#">3525359</a> | Compressor Housing    | 1        |         |
| <input type="checkbox"/>     | 2      | <a href="#">3522801</a> | Turbocharger Diffuser | 1        |         |
| <input type="checkbox"/>     | 3      | <a href="#">3502449</a> | Rectangular Ring Seal | 1        |         |
| <input type="checkbox"/>     |        | <a href="#">3545745</a> | Enter Assembly        | 1        |         |

We use cookies on this site to enhance your experience.

X

By clicking any link on this page, you give consent for us to set cookies. For more information, see our [Privacy and Legal page](#).

|                          |    |         |                                  |   |                     |
|--------------------------|----|---------|----------------------------------|---|---------------------|
| <input type="checkbox"/> |    |         |                                  |   |                     |
| <input type="checkbox"/> | 6  | 3518980 | Thrust Collar                    | 1 |                     |
| <input type="checkbox"/> | 7  | 3525687 | Shaft And Wheel                  | 1 |                     |
| <input type="checkbox"/> | 8  | 3525358 | Turbocharger Compressor Impeller | 1 |                     |
| <input type="checkbox"/> | 9  | 3758848 | Split Ring Seal                  | 1 |                     |
| <input type="checkbox"/> | 10 | 3503668 | Oil Baffle                       | 1 |                     |
| <input type="checkbox"/> | 11 | 3503347 | Flat Head Cap Screw              | 3 | M5 X 0.80 X 16      |
| <input type="checkbox"/> | 12 | 3525739 | Turbocharger Thrust Bearing      | 1 |                     |
| <input type="checkbox"/> | 13 | 3762259 | Retaining Ring                   | 4 |                     |
| <input type="checkbox"/> | 14 | 3503100 | Turbocharger Bearing             | 2 |                     |
| <input type="checkbox"/> | 15 | 3759917 | Hexagon Head Set Screw           | 4 | M8 X 1.25 X 12.     |
| <input type="checkbox"/> | 17 | 3501188 | Clamping Plate                   | 2 |                     |
| <input type="checkbox"/> | 18 | 3527184 | Hexagon Flange Head Cap Screw    | 4 |                     |
|                          | 19 | 3528206 | Turbocharger Bearing Housing     | 1 |                     |
| <input type="checkbox"/> | 20 | 3519302 | Turbocharger Heat Shield         | 1 |                     |
| <input type="checkbox"/> | 21 | 3756754 | Split Ring Seal                  | 1 |                     |
|                          | 22 | 3521296 | Turbine Housing                  | 1 |                     |
| <input type="checkbox"/> | 23 | 3523176 | Rectangular Ring Seal            | 1 | Deleted 27OCT92     |
|                          | 25 | 3527619 | Dataplate                        | 1 |                     |
| <input type="checkbox"/> | 26 | 3519163 | Drive Screw                      | 2 |                     |
| <input type="checkbox"/> | 27 | 3521832 | V Band Clamp                     | 1 | Serviced as 3803431 |
| <input type="checkbox"/> | 28 | 3529372 | Regular Hexagon Nut              | 1 | 1/4 - 28 UNF        |
| <input type="checkbox"/> | 31 | 3755947 | Sealing Washer                   | 4 |                     |
| <input type="checkbox"/> | 32 | 3503678 | Reducing Adapter                 | 1 |                     |
| <input type="checkbox"/> | 33 | 3523049 | Banjo Connector Union            | 1 |                     |
| <input type="checkbox"/> | 34 | 3533760 | Banjo Connector Screw            | 1 |                     |
|                          | 35 | 3503677 | Threaded Plug                    | 1 |                     |
| <input type="checkbox"/> | 29 | 3921926 | Turbocharger Gasket              | 1 |                     |

We use cookies on this site to enhance your experience.

x

By clicking any link on this page, you give consent for us to set cookies. For more information, see our [Privacy and Legal page](#).

|                          |    |                         |                                   |   |                        |
|--------------------------|----|-------------------------|-----------------------------------|---|------------------------|
| <input type="checkbox"/> |    | <a href="#">3802148</a> | Turbocharger Repair Kit           | 1 |                        |
| <input type="checkbox"/> |    | <a href="#">3522827</a> | Hexagon Head Set Screw            | 4 | M6 X 1.00 X 18         |
| <input type="checkbox"/> |    | <a href="#">3523958</a> | O-Ring Seal                       | 1 |                        |
| <input type="checkbox"/> |    | <a href="#">3545652</a> | Kit , Turbocharger Repair H1c-H2a | 1 |                        |
| <input type="checkbox"/> | 3  | <a href="#">3502449</a> | Rectangular Ring Seal             | 1 |                        |
| <input type="checkbox"/> | 9  | <a href="#">3758848</a> | Split Ring Seal                   | 1 |                        |
| <input type="checkbox"/> | 12 | <a href="#">3525739</a> | Turbocharger Thrust Bearing       | 1 |                        |
| <input type="checkbox"/> | 11 | <a href="#">3503347</a> | Flat Head Cap Screw               | 3 | M5 X 0.80 X 16         |
| <input type="checkbox"/> | 13 | <a href="#">3762259</a> | Retaining Ring                    | 4 |                        |
| <input type="checkbox"/> | 14 | <a href="#">3503100</a> | Turbocharger Bearing              | 2 |                        |
| <input type="checkbox"/> | 15 | <a href="#">3759917</a> | Hexagon Head Set Screw            | 4 | M8 X 1.25 X 12.        |
| <input type="checkbox"/> | 18 | <a href="#">3527184</a> | Hexagon Flange Head Cap Screw     | 4 |                        |
| <input type="checkbox"/> | 21 | <a href="#">3756754</a> | Split Ring Seal                   | 1 |                        |
| <input type="checkbox"/> |    | <a href="#">3523958</a> | O-Ring Seal                       | 1 |                        |
| <input type="checkbox"/> |    | <a href="#">3501102</a> | Lock Plate                        | 2 |                        |
|                          |    | <a href="#">3518004</a> | Lock Washer                       | 8 | M6                     |
| <input type="checkbox"/> | 29 | <a href="#">3921926</a> | Turbocharger Gasket               | 1 |                        |
| <input type="checkbox"/> | 31 | <a href="#">3755947</a> | Sealing Washer                    | 4 |                        |
| <input type="checkbox"/> | 30 | <a href="#">3519807</a> | Turbocharger Gasket               | 1 | Cummins Equiv. 3914388 |

© 2019 Cummins Inc., Box 3005, Columbus, IN 47202-3005 U.S.A.  
Terms of Use and Disclaimers | Recommended System Requirements  
Need Assistance? Please click on the Contact Us button in the top right corner of any page.

We use cookies on this site to enhance your experience.

x

By clicking any link on this page, you give consent for us to set cookies. For more information, see our [Privacy and Legal page](#).